

# Rambler

Newsletter of the  
Ottawa Valley Mobile  
Radio Club  
Incorporated



December 2019

Edition 57

Page: 1

## President's Ramblings

**H**APPY HOLIDAYS AND  
**BEST OF THE SEASON**  
to all club members,  
family and friends! I'm looking  
forward to seeing many of you at  
the annual OVMRC Christmas  
Dinner. I have 6 of what I think  
are useful door prizes for in and  
around your shack. Tickets for the  
draws will be handed out at the  
door as you enter the meeting  
room at the back of the restaurant.  
Good Luck!

It appeared the modifications  
made to the monthly meeting as  
were suggested by members of the  
club were successful.... with one  
exception: I was going to drop the  
segment on "Haves and Wants"  
but wouldn't you know it, there  
was a want that night that actually  
got fulfilled! Then the suggestions  
came in and it seems that since I  
can rattle through Haves and  
Wants quickly, let's keep in for  
now. Done!

The 7:15 start time worked out  
really well and the decision for  
January is to move it ahead again  
to 7:00 PM. We'll remind  
everyone on the nets in January of  
the change. Also, the Museum  
security staff has advised us that  
we are to be out by 10:00 PM, not  
just wrapping up, therefore closing  
time will again be 9:45 PM as it

was in November. Help putting  
chairs and tables away is greatly  
appreciated.

Monthly door prize and 50/50 will of  
course be a main stay.

If you are unsure of your status as a  
paid-up member you can always  
check with Nicole, VE3GIQ, club  
Treasurer. This is important since  
only paid up members are eligible  
for door prizes, 50/50, and  
subsidized club kit costs.

Updates will be provided at the  
January meeting by Michael,  
VE3WMB for the Balloon project  
and Roger, VA3EGY for the  
transmitter hunt initiative. It was  
impressive to see that several club  
members were willing to invest in  
equipment required for the  
transmitter hunt project piloted by  
Roger.

I have a lot of parts on order and  
hope to have good news for the kits  
and delivery of more coax. The coax  
project is ongoing and as a reminder  
here are the costs to paid up  
members:

- LMR 400 Cost \$1.35 per foot.
- LMR 195 Cost \$0.80 per foot.

Connectors: PL259 (male uhf type)  
\$2.00 ea including heat shrink tubing  
for environmental sealing. BNC  
connectors are also available for the  
LMR 195 cable at the same \$2.00  
cost. *(Continued on page 4)*

## INSIDE

President's Ramblings.....	1,4
OVMRC Repeater Nets.....	3
Cross Canada C4FM Weekly Net.....	3
Local 2 Metre Nets.....	3
Emergency Measures Radio Group.....	3
HF Nets.....	3
Restaurant Gatherings.....	3
Field Day Results.....	4
Radio Course Report.....	5
BITX 40 Metre SSB transceiver kit.....	5-6
Meeting Minutes.....	7-9
OVMRC Net Activity Report.....	9-10
Membership Form.....	11

## Calendar

**Christmas Dinner**  
**Thursday**  
**December 12<sup>th</sup>**  
**6:00 P.M.**

**KS on the Key Resturant**  
(1029 Daze St. Ottawa)

For map click link below

<https://shorturl1.me/MJF7wVw>

If not already signed up, contact:  
Norm at [VE3LC@rac.ca](mailto:VE3LC@rac.ca)

**Group Exam Sessions**

**Upgrade your Qualifications**

Dec 9<sup>th</sup> and 16<sup>th</sup> 6:45 pm  
Contact Norm at [VE3LC@rac.ca](mailto:VE3LC@rac.ca)

## OVMRC Executive and Officers 2019-2020

### President:

**Barry Allison, VE3NA**  
[ve3na@rac.ca](mailto:ve3na@rac.ca)

### Vice-President:

**Norm Rashleigh, VE3LC**  
[ve3lc@rac.ca](mailto:ve3lc@rac.ca)

### Treasurer & Membership Records:

**Nicole Boivin, VE3GIQ**  
[nlboivin@sympatico.ca](mailto:nlboivin@sympatico.ca)

### Corporate Secretary:

**Ron Smith, VE3LBU**  
[rjs3.smith@gmail.com](mailto:rjs3.smith@gmail.com)

*The above four positions are "Directors" and officers in charge of running the Corporate affairs of the Ottawa Valley Mobile Radio Club Inc.*

## Standing Committees

### Club Projects & Bulk Orders:

**Barry Alison, VE3NA**  
[ve3na@rac.ca](mailto:ve3na@rac.ca)

### Radio Course &

#### Accredited Examiner:

**Norm Rashleigh, VE3LC**  
[ve3lc@rac.ca](mailto:ve3lc@rac.ca)

### Membership Services & Meeting Reception:

**Tom Mercer, VE3LJS**  
[tsmerc63@gmail.com](mailto:tsmerc63@gmail.com)  
**John McGowan, VA3JYK**  
[john.mcgowan1314@gmail.com](mailto:john.mcgowan1314@gmail.com)

### Nets & Radio Operations:

**Hugo Kneve, VE3KTN**  
[ve3ktn@rac.ca](mailto:ve3ktn@rac.ca)  
**Rob Haddow, VE3RXH**  
[rjhaddow@yahoo.ca](mailto:rjhaddow@yahoo.ca)  
**Nicole Boivin, VE3GIQ**  
[nlboivin@sympatico.ca](mailto:nlboivin@sympatico.ca)

### Rambler Newsletter Production:

**Norm Rashleigh, VE3LC**  
[ve3lc@rac.ca](mailto:ve3lc@rac.ca)  
**Robert Cherry, VA3AOD**  
[cw527@ncf.ca](mailto:cw527@ncf.ca)  
**Bill Hall, VA3WMH**  
[bmhall@rogers.com](mailto:bmhall@rogers.com)

### Club Web Site & Social Media:

**Darin Cowan, VE3OIJ**  
[ve3oij@amsat.org](mailto:ve3oij@amsat.org)

### VE3TWO Repeater Keeper:

**Norm Rashleigh, VE3LC**  
[ve3lc@rac.ca](mailto:ve3lc@rac.ca)

### Special Events:

**Roger Egan, VA3EGY**  
[va3egy@gmail.com](mailto:va3egy@gmail.com)  
**John McGowan, VA3JYK**  
[john.mcgowan1314@gmail.com](mailto:john.mcgowan1314@gmail.com)

## OVMRC Life Members

**Ernie Jury, VE3EJJ**  
**Maurice-André Vigneault, VE3VIG**  
**Ralph Cameron, VE3BBM**  
**Doug Carswell, VE3ATY**  
**Doreen Morgan, VE3CGO**

## OVMRC Repeater

**VE3TWO**  
147.300 Mhz (+) 100 Hz tone  
FM & Yaesu System Fusion Digital  
Operation

## OVMRC Call Signs

**VE3JW**  
**VE3RAM**

*The Rambler is the official newsletter of the Ottawa Valley Mobile Radio Club Incorporated and is published 10 times a year (monthly, except for July and August). Opinions expressed in the Rambler are those of the authors and not necessarily those of the OVMRC, its officers or its members. Permission is granted to republish the contents in whole or in part, providing the source is acknowledged. Commercial use of the contents is expressly prohibited.*

Submit articles and notices to:

Norm at [ve3lc@rac.ca](mailto:ve3lc@rac.ca)

**Ottawa Valley Mobile  
Radio Club, Incorporated**  
**PO Box 41145**  
**Ottawa, ON K1G 5K9**  
[www.ovmrc.on.ca](http://www.ovmrc.on.ca)

## OVMRC Affiliations



## The Wednesday evening Cross Canada Weekly C4FM is again hosted on VE3TWO

OVMRC members can again check into the Wednesday evening Cross Canada C4FM net on Club repeater VE3TWO 147.300 (+ offset) thanks to a remote Wires X connection provided by Steve VA3MPS. Steve will be engaging his node station onto the repeater Wednesday Evenings at 9:00 PM. The Net can also be accessed in the west-end of town using the Fusion repeater VE3DRE on 146.805 (- offset) owned and operated by Denis VE3BF who is the Net Control Station. All check-ins are welcome using the Yaesu C4FM digital voice mode.

## Emergency Measures Radio Group: (EMRG)

Monthly Repeater Tests are conducted by Dave VE3KMV on the first Wednesday of each month at 8 PM on VE3OCE 146.880 MHz – (136.5 Hz tone). From initial contact on VE3OCE, you'll be asked to test VE3EMV/East 146.985 MHz – (100 Hz@ tone), VE3EMV/West 145.210 MHz – (123.0 Hz tone), VE3OFS 146.670 MHz – (136.5 Hz tone), VE3OCE 443.8000 MHz + 5 (136.5 Hz tone) and VE3EMU 444.9500 + 5 (136.5 Hz tone). It is advisable that all the EMRG frequencies be programmed into your radio. All check ins are welcome.

See: <http://www.emrg.ca/repeaters.htm>

## Informal Amateur Radio Restaurant Gatherings (All are welcome)

- **QCWA Chapter 70** breakfast gathering every **Tuesday** morning at 7:30 to 10:00 AM, Summerhays Grill, 1972 Baseline Rd., Nepean
- **Orleans Coffee gathering** every **Friday** morning at 9:00 AM, McDonalds, 2643 St. Joseph Blvd, Orleans
- **QRP Group Dinner** meeting, **2<sup>nd</sup> Wednesday** every month, 5 PM, Newport Restaurant, 322 Churchill Ave N., Ottawa
- **Phoenix Net monthly Breakfast** gathering, usually the **second Saturday** every month at 9 AM, T-Basil Restaurant, 2440 St Joseph Blvd, Orleans. (get on Pete VE3XEM's mailing list for monthly reminder [VE3XEM@RAC.CA](mailto:VE3XEM@RAC.CA))

## OVMRC Repeater VE3TWO :

*147.300 MHz +600 kHz, 100 Hz Tone and Yaesu C4FM Digital Voice*

### VE3TWO Scheduled Nets:

- **Thursday Evenings, 8 PM**, Club Net on FM conducted by Hugo, VE3KTN and Rob, VE3RXH.
- **Sunday Evenings, 8 PM**, Ottawa C4FM Digital Voice Round Table Net.

### Other Local 2 Metre Repeater & Simplex Nets: (all check-ins welcome)

- **Rubber Boot Net**, VE3MPC 147.150 ++, (100 Hz tone) mornings at 7:30 AM conducted by Mike, VA3TJP
- **Phoenix Net**, VE3MPC 147.150 Mhz +, (100 Hz tone), Tuesday evenings at 8:00 PM conducted by Pete, VE3XEM
- **QCWA Chapter 70 Net**, VE3MPC 147.150 MHz +(100 Hz tone), Monday evenings at 7:30 PM conducted by John, VE3ZOV
- **Capital City FM Net**, VE2CRA 146.940 MHz -, (100 Hz tone), Monday evenings at 8:00 PM.
- **Champlain Mini Net**, VE3STP 147.060 MHz -, (114.8 Hz tone), every evening at 6:45 PM.
- **Upper Frequency Net**, Simplex 144.250 MHz using USB, Tuesdays evenings at 9:00 PM conducted by Glenn, VE3XRA. Following check in on 2 m you can check your radios on 6 m at 50.150 MHz and 70 cm on 432.150 MHz as well using USB. All check ins are welcome.

### OVMRC HF Nets

- **Pot Hole SSB Net**, 3760 kHz, every Sunday morning at 10:00 AM conducted by Ernie, VE3EJJ, or Glenn, VE3XRA..
- **Pot Lid Slow Speed CW Net**, 3620 kHz, every Sunday morning at 11 AM conducted by Roger, VE3XRR.

(Continued from page 1)

The club also has about 30-40 sets of Anderson Power Pole connectors available for a cost of \$1.00 per set (red + black + 2 pins).

All prices are tax included.

Anyone interested in trying your hand at installing your own connectors, remember to contact Pete, VE3XEM. He retains the club tool kit and we now have the proper crimp tools to install connectors on both the LMR 400 and LMR 195 coax cable and the power pole connectors.

That's about it for now. I hope to see many club members at the January meeting, Wednesday, January 15, 7:00 PM, at the Science and Tech Museum.

**HAVE A SAFE AND HAPPY  
HOLIDAY SEASON!**

73,  
Barry, VE3NA

## Field Day 2019 Results

### OVMRC Places 3<sup>rd</sup> in Canada in 2A Class

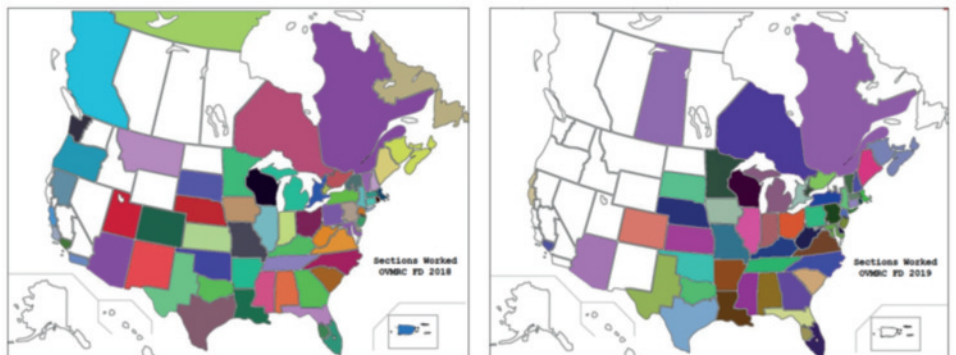
The Field Day results were published in the December issue of QST magazine. The OVMRC standing in the category was third in Canada, beaten out by two other local area Clubs. Last year we beat out both the 3730 group and the OARC by placing 2nd in Canada standing. Here's a comparison of our results with the top 6 Canadian Clubs competing in the 2A Class this year.

Canadian Ranking, 2A Class, Field Day 2019					
	Club	Primary Call	GOTA Call	QSO's	Score
1	VE3ORF/3730 Group	VE3ORF	VE3FX	1231	4916
2	Ottawa Amateur RC	VE3RC	VE3NCR	935	4646
3	Ottawa Valley Mobile RC	VE3JW	VE3RAM	767	4032
4	EPCOM	VE7PCE	-	1000	3250
5	Yankee Clipper Contest Club	VE2ATB	-	792	3072
6	Prescott-Russell Amateur RC	VE3PRD	-	608	2896

The OVMRC points score was 4032, slightly less than the 4082 score last year. The top club in the 2A class was the Radio Association of Northern Vermont with 4528 QSOs and a whopping 14876 points.

This year, WSJT-X data application was re-designed to accommodate the Field Day exchange; this provided a mode of operation besides SSB and CW. The OVMRC made FT-8 contacts on 20, 15 and 6 metres. Each FT-8 contact, like CW, counted as 2 points. We could have made more QSO points if we had focused more on making CW and FT-8 contacts instead of "phone" contacts on most of the HF amateur bands. Another factor that came into play this year was the poorer propagation. This can be seen by evidence of the less number of "distant" sections worked and therefore available unique stations on each band.

### Map of Sections worked on Field Day 2018 vs 2019



I may not be available for Field Day Weekend, June 27-28, this year because of pending travel plans. I'd like to have volunteers in the club to work with me to learn the ropes of organizing Field Day, take charge of Club's kit of antennas and equipment and submitting the after event logs and submission to the ARRL. Any volunteers to take on this responsibility, please contact me.

Norm, [VE3LC@rac.ca](mailto:VE3LC@rac.ca)

## Report on Radio Course.

We are wrapping up another OVMRC radio course for this season with group examinations scheduled for December 9<sup>th</sup> and December 16<sup>th</sup>. We had 35 folks register for the course in September but as in past years, sustaining attendance by some busy folks has been a challenge. Besides the course students, the two examination sessions

## HFSignals of India BITX40 Metre mono band SSB transceiver kit.

I was put onto this kit by Michael Babineau, VE3WMB who, amongst his many endeavours in amateur radio, is a QRP enthusiast. The BITX40 kit is (now was) a product of HF Signals, a small Indian company founded by Ashhar, VU2ESE. Unfortunately, I may have got one of the last BITX40 kits since the company's web page

<http://www.hfsignals.com/index.php/bitx40/> now says: "The BITX40 is no longer available for sale".

The BITX40 is a 40 metre SSB (LSB only) QRP transceiver offered as two basic semi-assembled boards without any enclosure or cabinet for the small sum \$59 US. I ordered the kit on-line and it was deposited directly into my mail box some weeks later. One unique aspect of the BITX 40 is the Local oscillator is designed using a Si5351 programmable "Any-Frequency" CMOS Clock Generator chip. This chip uses an external 25 MHz crystal for stability (note this is the same chip used as in the few-mW

scheduled at the Science and Technology Museum are open other OVMRC Club members that want to take the Basic or Advanced or Morse code test to upgrade their qualification levels, just let me know in advance so I can have an exam printed for you to take.

So far, we can congratulate Denis L'Heureux, one of our course students who took his test early; he was successful obtaining his Basic

with Honours qualification. Denis, who is an active member of the Ottawa Volunteer Search and Rescue Group now has the call sign VA3DIL

We are looking forward to congratulating many more freshly minted hams as a result of this year's course following the December examination sessions; I will report on this further in the January Rambler.

*Norm ve3lc*

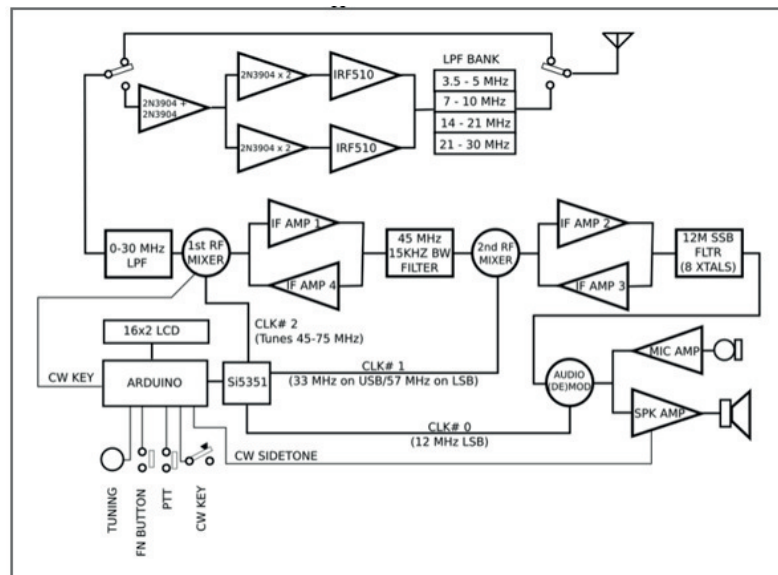
transmitter on VE3WMB high flying balloon project). The Si5351 is controlled on the BITX40 by an "Arduino Nano" with pre-loaded software written in Arduino's C language. This provides user frequency control of the transceiver by rotating a 10 k potentiometer and the frequency is shown on a 16x2 LCD display. All software and hardware are open source and software "hacking" and hardware modification are encouraged. For owners of the BITX40, there is a Groups.io forum that has developed into a worldwide following of support and suggested modifications.

Seeing now that you can no longer buy the very low priced single band BITX40 kit, another option of interest may be the uBITX available from HFSignals for \$129 US. See web pages:

<http://www.hfsignals.com/index.php/ubitx/> and <http://www.hfsignals.com/index.php/ubitx-v4-archived/>

The uBITX is an 80 through to 10 metre QRP transceiver having dual conversion. It shares some of the same circuitry as the BITX40 but has more complete functional operation including CW.

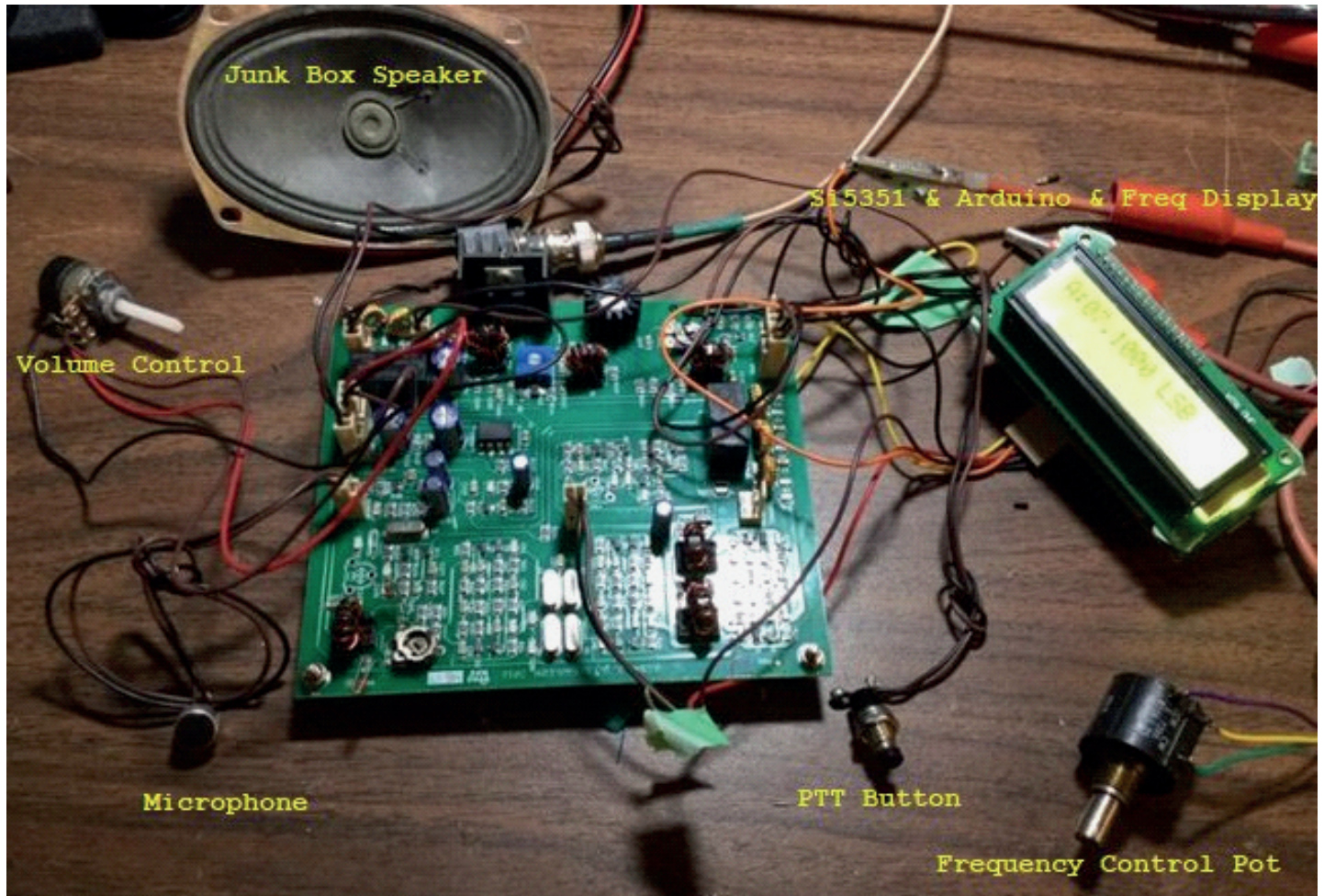
Here is the Block Diagram of the all HF bands uBITX.



Here is a picture of my assembled BITX40 monoband 40 M SSB transceiver working bare boards on the bench following checking into the Transprovincial Net on 7100 kHz.

It's always nice making contacts with a minimal station.

*73 Norm VE3LC*



## Meeting Minutes

**Date / Time:** Wednesday, November 20, 2019. 19:15

**Location:** Canada Science and Technology Museum, Ottawa, Ontario.

### 1. Call to order:

President Barry Allison, VE3NA called the meeting to order at 19:15 There were 38 in attendance, including 2 guests and 3 students from the radio course.

### 2. Approval of minutes from previous meeting:

**MOTION:** Moved by Marcel Lemay, VE3FNG seconded by Tim Bailey, VE3TXB that the minutes of the previous meeting held Wednesday October 16, 2019, be approved.

**VOTE:** All in favour.

**CARRIED.**

### 3. Greetings:

Barry, VE3NA extended greetings to everyone including guests Richard Ferch, VE3KI, Ric Atkinson, VE3RDA, and OVMRC Radio Course students Walter Szyk, Alex Villarta and Jeff Robb.

### 4. Agenda and Meeting Content:

Barry, VE3NA outlined the agenda for the meeting.

### 5. Announcements, Projects and Events:

#### A) Announcements:

Barry Allison, VE3NA reminded Members of several items:

i. The monthly business meeting of the OVMRC now begins at 7:15 PM. If deemed appropriate, the

meeting may begin at 7:00 PM in the new year. This will accommodate a request from the Museum for the meeting to be concluded and cleared out of the facility by 10:00 PM.

ii. Meeting format changes, in addition to an earlier start time, will include a longer break, only one main feature topic and a closing time of 9:45 PM.

iii. Name tag prices are now \$15.00, up from \$14.00. This is due to increased cost.

iv. The Christmas Dinner will be held on Thursday, December 12 at 6 PM at KS on the Keys. The price per person will be confirmed once the sign-up list is complete. Please make sure to sign up promptly and no later than December 9<sup>th</sup> and also indicate if you are bringing a guest. Contact Norm Rashleigh at [VE3LC@rac.ca](mailto:VE3LC@rac.ca) to sign up.

v. Check out and enrol in groups.io. Please log in to keep up to date on ham activities within the OVMRC.

vi. Event Activities. Members should regularly reference The Rambler newsletter on the club's website to stay informed. Members can use the hyperlinks there for upcoming activities, information and contests.

vii. Membership dues for the 2020 season are due and payable to OVMRC.

**ACTION REQUIRED:** Please check in with Nicole VE3GIQ to settle your account and to verify your membership information.

viii. Year-End Attendance Prize Draw. Barry Allison, VE3NA reminded members again that there

will be three or four year-end attendance prizes to be drawn in June 2020. Total combined value of the prizes will be approximately \$800. OVMRC Members will receive 1 ticket at each meeting when they sign in. The tickets will be accumulated and at the final meeting of the season and the first winning ticket will be drawn by last year's winner, Nicole Boivin, VE3GIQ. The prize is an amp/power supply unit.

ix. Door Prizes. Barry Allison, VE3NA reminded members again that each meeting will feature a door prize of significant value, such as tonight's 200-Watt inverter.

x. Coax. Barry Allison, VE3NA will order a 500-foot roll of LMR 400 at \$1.35 per foot, tax included. PL259 connectors will be mounted at \$2.00 each, including tax.

**ACTION REQUIRED:** Contact Barry at [VE3NA@RAC.ca](mailto:VE3NA@RAC.ca) who will place an order.

xi. The Emergency Repeater Frequency tests happen on the 1<sup>st</sup> Wednesday of every month on VE3OCE. The necessary CTCSS Tones are also available in the Rambler.

xii. Barry VE3NA, reminded members that volunteer radio operators are once again needed for the annual Canadian Ski Marathon happening in Quebec on February 8 and 9, 2020. For information, please go to: <https://hambone.ca>

#### B) Club Projects and Member Builds:

Barry Allison, VE3NA – A portion of the cost for Club projects will be

subsidized by the Club this year. The balance of the project cost will be paid by the member at a group buy/discounted rate. Among the Projects and builds suggested (subject to member interest) are:

- i. A Lightning Arrestor/Surge Suppressor, HF to 2 metres at an approximate cost of \$15.00 to the Member.
- ii. The 6M low power Mag Loop antenna group buy has been cancelled due to higher than expected import costs and HST.
- iii. A 6M dipole antenna, as a club project, will be somewhere around \$15 cost to the member.
- iv. Snap-On cylindrical and toroid cores kits buy for HF interference suppression of sensitive electronic devices around home. Devices and price to members TBD

**ACTION OUTCOME:** Members signed up to choose their project from the above list. Barry, VE3NA will order parts. Members who have NOT signed up, are asked to contact Barry, VE3NA as soon as possible at [VE3NA@RAC.ca](mailto:VE3NA@RAC.ca)

### C) Haves:

- i. None noted. This item may be dropped from future meetings or moved to groups.io.

### D) Wants:

- i. None noted. As above, this may move to groups.io.

### E) Notable Contacts:

Will be dropped in the new year.

### F) Presentations:

- a) Feature Presentation – Richard Ferch, VE3KI - “FT8 What is It? Why all the Buzz?”

Norm Rashleigh, VE3LC introduced Richard and shared a brief outline of his bio with the Members. Richard is the RAC Regulatory Affairs Officer, long time Ham and contester with over 250,000 QSO’s logged on LOTW to his credit. Richard, VE3KI shared several slides tracing the history of Joe Taylor, K1JT’s weak signal digital modes and what has now led to the development of FT8 as part of the WSJT-X software application. WSJT-X is freeware and easy to set up. Its operation requires only a modest antenna, and a PC or laptop connected to your HF rig. Joe Taylor, K1JT is a radio astronomer and Nobel Laureate from Princeton University. Joe’s initial weak signal mode was JT-65 released in 2001 to make possible EME contacts with modest power and small Yagi antenna. FT8 and now FT4 have evolved to provide faster QSO cycle times than offered by JT65 for HF operation. The newest iteration of WSJT-X this year provides special Fox-Hound operation for DX-expeditions and contest operating events such as Field Day, and now accounts for the majority of activity on the HF and 6 metre bands FT8 is also a more sensitive mode for DX communication over CW. Richard mentioned JS8 Call is a form of the FT8 protocol now available which can provide a free-text conversation mode of communications Richard provided screen shots and audio samples of the working FT8 mode. In response to questions, Richard suggested a ‘sweet spot’ for transmitter output power is 50 watts, ideal on 20 metres. It is important to ensure your PC or laptop time clock is accurate and

suggested either Dimension 4 as an excellent PC time synchronization app.

Following questions, Norm, VE3LC thanked Richard, VE3KI and Barry, VE3NA presented him with an OVMRC club coffee mug.

- b) ARIES Project Update - Michael Babineau, VE3MWB

It is likely a launch meeting will be held in either January or February and more members are welcome to join in. Michael, VE3MWB is considering a ‘dummy’ launch to confirm launch logistics and make sure the group anticipates and avoid problems. The up to date presentation be found on groups.io here:

<https://ovmrc.groups.io/g/main/files/Aries%20Balloon%20Project%20Monthly%20Update%20Slides/Project%20Aries%20-%20OVMRC%20update%20November%202019.pdf>

- c) OVMRC 2 M Transmitter Hunt – Neil Herber, VE3PUE

Neil Herber, VE3PUE presented an update on Roger Egan VA3EGY’s behalf. Two meetings of the Fox Hunt group have been held and a third is planned for Sunday, December 1<sup>st</sup>. Possible events being discussed include working with Scouts, Cadets, Christie Lake Camp and some community based urban events. Being publicly visible is key. Field Day and Radio in the Park are also being considered. Several purchases are coming up including 5 transmitters, one controller and up to 10 identical ARDF receivers. These devices could be built as club projects. That part may also



include 10 antennas and 10 attenuators for operator-owned receivers. Fund raising for the receivers will be undertaken and a fund-raising committee has been formed. Funds that are being raised are solely for the purchase of equipment, NOT for the cost of actually holding an event. A link to the Fox Hunt Sub-Group can be found on Groups.IO here: <https://ovmrc.groups.io/g/foxfhunt>

#### **ACTION REQUIRED:**

Members are asked to volunteer for a committee that will develop a Fox Hunt plan for the year. Visit [groups.io](https://groups.io) to sign up or send Roger an email at [VA3EGY@gmail.com](mailto:VA3EGY@gmail.com)

#### **6. Show and Tell:**

During the break, guest Ric Atkinson, VE3RDA shared some classic analysis tools from the 70's with members. After the business meeting ended, Norm Rashleigh,

VE3LC demonstrated the Nano VNA analyzer at the table for those wishing to observe and ask questions about this very popular, affordable device. Several members stayed after the business meeting to listen and discuss the VNA with Norm.

#### **7. Prizes and Draws:**

Tonight's door prize door prize is a 200-watt 4 port inverter valued at approximately \$30. The winner was Anton, VE3NZL. The 50/50 draw for \$27.50 was won by Arthur Smith, VE3BIT.

#### **8. Upcoming contests:**

For more detailed information on upcoming contests, see the WA7BNM Contest Calendar at

<https://www.contestcalendar.com/>

RAC Members can login and go here:

<https://wp.rac.ca/amateur-radio-contest-calendars/>

ARRL Members can log in and go here:

<http://contests.arrl.org/>

#### **9. Adjournment:**

**MOTION:** Moved by Douglas King, VE3YDK that the meeting be adjourned at 21:33.

#### **10. Next meeting:**

The next regular business meeting of the OVMRC will be held Wednesday, January 15, 2020 at 7:00 PM at the Canada Science and Technology Museum, 1867 St Laurent Blvd, Ottawa, ON K1G 5A3.

*Minutes recorded by  
Ron Smith, VE3LBU  
OVMRC Secretary*



## OVMRC Net Activity, Check-ins for Last Month.

Prepared by: Hugo Kneve VE3KTN

OVMRC 2 Metre Net: VE3TWO 147.300+ 100 Hz. tone, Thursdays 8 p.m. local.

November 7	November 14	November 21	November 28
New & Visitors	New & Visitors	New & Visitors	New & Visitors
			VE3PIS - Rolly
General Check-ins	General Check-ins	General Check-ins	General Check-ins
VE3KTN - NCS	VE3KTN - NCS	VE3KTN - NCS	VE3RXH - NCS
VE3EO	VA3ZZW	VA3EO	VE3NA
VE3NA	VE3OWR	VE3NA	VE3LC
VE3LC	VE3LAF	VE3LC	VE3KAE
VE3LBU	VE3LC	VE3LBU	VA2EEK
VE3KAE	VA3RLA	VA2EEK	VA3ZZW
VA3DEF	VE3FNG	VE3KAE	VA3RLA
VA3RLA	VE3LBU	VE3FNG	VA3DEF
VE3FNG	VA2EEK		VE3LBU
VE3LAF	VE3KAW		VE3GIQ
VE2BJZ	VE3KAE		VA3EO
	VA3BIT/m		VE3KTN
	VE3RXH		VE3BQ
	VE3OKD		
	VE3NA		

OVMRC Pothole Net: 3760 kHz. LSB Sunday mornings at 10 a.m. local.

November 3	November 10	November 17	November 24
VE3XRA - NCS	VE3EJJ - NCS	VE3EJJ - NCS	VE3XRA - NCS
VA3QV	VE3BAE	VA3ZTF	VE3BAE
VE3EJJ	VE3KTN	VA3BGO	VE3KTN
VE3LC	VE3XRA	VE3EKN	VE3EJJ
VE3KTN	VA3BGO	VA3RLA	VE3LC
VA3PCJ	VE3EKN	VE3XRA	VA3RLA
VE3EKN	VE3LC	VE3KTN	VA3BGO
VA3BGO	VA3QV	VE3KAE	VA3NAH
VA3BIT/p	VA3PCJ		VA3MPG
VE3BQ	VE3LLX		VE3EKN
	VE2HOG		VE3BQ
	VA3BIT/p		VA3BIT/p
	VE3BQ		

# MEMBERSHIP FORM

Ottawa Valley Mobile Radio Club, Incorporated  
 PO Box 41145  
 Ottawa, ON K1G 5K9

- ✓ The membership year starts 1 September, and runs until 31 August of the following year.
- ✓ Regular membership is open to licensed amateurs.
- ✓ Associate membership is open to all unlicensed radio enthusiasts.
- ✓ Membership includes a digital subscription to the club newsletter, the OVMRC Rambler.

NEW <input type="checkbox"/>	RENEWAL <input type="checkbox"/>	UPDATE/CHANGE <input type="checkbox"/>	
Please print legibly			
Call Sign	Surname	Perferred first name	
Street		Apartment	
City	Province	Postal Code	
Home/primary phone	Work/other phone	E-mail address	
Are you a member of Radio Amateurs of Canada (RAC)? Yes / No			
RAC ID: _____ Expiry (YYYY-MM-DD): _____			
Do you wish to order an OVMRC name tag? (+\$12.00) Yes <input type="checkbox"/> No <input type="checkbox"/>			
Callsign for name tag		Name for name tag	
Full Membership (Not a Member of RAC)	\$35.00/yr <input type="checkbox"/>	Amount Enclosed \$ _____ Cheque / Cash	
Full Membership (RAC Member)	\$25.00/yr <input type="checkbox"/>		
Associate Membership (Unlicensed)	\$25.00/yr <input type="checkbox"/>		
Circle your interests			
<b>Bands</b> Microwave UHF VHF HF LF and below	<b>Modes</b> CW Digital Phone EME Satellite Experimental	<b>Building</b> RX TX Antennas Test equipment Other	<b>Other</b> Teaching Speaking/Presenting DF/Fox hunting Contesting DXing Computers/IT Other
Signature _____	Date _____	<div style="border: 1px solid black; width: 60px; height: 40px; display: flex; align-items: center; justify-content: center; margin: 0 auto;">                 Initials             </div>	By initialing this box, I confirm that I consent to receiving e-mail messages from the Club.