



Celebrating our 60th Anniversary Season of Continuous Service to Ottawa

President's Ramblings

What a good turnout for our October meeting. At least 40 folks were there; it became standing room only in the Aviation Museum's classroom. There were several visitors at the meeting no doubt attracted by the wonderful talk by Brian Griffin, VA3BGO about his collection of vintage radios many of which he had personally restored. Brian had several before and after pictures showing his talents at taking a "basket case" and transforming it into nearly new condition. Most of Brian's collections were battery operated sets popular in the 30s and 40s when electric power was not yet available in much of rural Canada. Thanks Brian for a first class presentation.

Myself and Barry, VE3NA, were invited recently to the QTH of Marc, VE3BOE to see the raising and lowering of his new tilting tower installation at his property in Metcalfe. Marc was a graduate of our 2015 Radio Course; he had just completed the design and construction of a 56 foot DMX heavy duty tower out-fitted with an Hy-Gain Explorer 14 HF Beam and long boom horizontal 2 metre Yagi. There is room on the 14 foot rotatable mast just above the HF beam for a multi-element 6 metre Yagi that Marc intends to build and

install in the near future. Atop the mast, Marc has a Diamond 2 m and 70 cm omni directional antenna for FM work that was tested on the Oct 26th Thursday evening OVMRC net. Most folks heard Marc's 5-9 + signal on VE3TWO's input frequency directly. Marc has put together a photo presentation for our November 15th meeting that will show all aspects of design and construction of his tower including the grounding and bonding of the tower and coaxial cables. The presentation will be complete with video and aerial drone footage showing the tilting action of raising and lowering the tower from horizontal to the vertical self supporting position. This will be a presentation you don't want to miss.

Over forty Club members have signed up for a Club shirt custom embroidered with member's name, call sign and Club logo. The ordering is now closed and we hope to have them available at the November meeting. The cost will be \$30. Come to the meeting prepared to make payment and hopefully, we will have your shirt ready for pick up. Also on sale at the next meeting will be newly minted Coffee Mugs with the OVMRC logo for \$5 each. We got lots, so you may want to buy several.

(Continued on page 3)

INSIDE

| | |
|-----------------------------------|-----|
| President's Ramblings..... | 1,3 |
| Contest Calendar..... | 4 |
| Restaurant Gatherings..... | 4 |
| Cross Canada C4FM Weekly Net..... | 4 |
| OVMRC Repeater Nets..... | 4 |
| 2 Metre Nets..... | 4 |
| OVMRC HF Nets..... | 4 |
| Clothes Line Antenna..... | 5 |
| For Sale..... | 6 |
| OVMRC Net Activity Report..... | 7 |
| Meeting Minutes..... | 8-9 |
| Membership Form..... | 10 |

Meeting Dates

Wednesday, Nov 15th
7:30 P.M.

General Meeting

Aviation Museum
Avro Arrow Class Room

Speaker: Marc Bélanger, VE3BOE
Topic: Design & Construction of his Tilt-Over Tower

Wednesday, Dec 20th
6:00 P.M.

CHRISTMAS DINNER

KS on the Keys Resturant
1029 Dazé St., Ottawa

Buffet Selection \$25.00

OVMRC Executive and Officers**2017-2018****President:** Norm Rashleigh, VE3LC
ve3lc@rac.ca**Vice-President:** Barry Allison, VE3NA
ve3na@rac.ca**Treasurer:** Nicole Boivin, VE3GIQ
ovmrc.treasurer@gmail.com,**Secretary:** Frank Fullum, VE2KOI
ve2koi@rac.ca**Standing Committee
Chairpersons****Amateur Radio Training &****Accredited Examiner:**Norm Rashleigh, VE3LC
ve3lc@rac.ca**Membership:**Tom Mercer, VE3LJS
va3ljs@rac.ca**Radio Operations:**Ken Evans, VE3EKN
ve3ekn@gmail.com,**Newsletter Editor:**Robert Cherry, VA3AOD
cw527@ncf.ca**Newsletter Production:**Bill Hall, VA3WMH
bmhall@rogers.com**Webmaster:**Darin Cowan, VE3OIJ
ve3oij@amsat.org**Repeater Trustee:**Norm Rashleigh, VE3LC
ve3lc@rac.ca**Events Chair:**John McGowan, VA3JYK
john.mcgowan1314@gmail.com**Sponsors**

The OVMRC acknowledges the following organizations for their support of our activities:

- **KENWOOD ELECTRONICS CANADA INC.**,
Mississauga, ON

- **METAL PROS**,
"The Small Quantity Metal Shop"
Ottawa, ON
Web site: www.metalpros.com

- **RADIOWORLD TORONTO**
Web site: www.radioworld.ca

Visit the OVMRC Store

at

<http://www.cafepress.ca/ovmrc>

*Ottawa Valley Mobile
Radio Club, Incorporated
PO Box 41145
Ottawa, ON K1G 5K9
www.ovmrc.on.ca*

OVMRC Life Members

Ernie Jury, VE3EJJ

Maurice-André Vigneault, VE3VIG

Ralph Cameron, VE3BBM

Doug Carswell, VE3ATY

Doreen Morgan, VE3CGO

OVMRC Repeater

VE3TWO

147.300 Mhz (+) 100 Hz tone
FM & Yaesu System Fusion Digital
Operation**OVMRC Call Signs**

VE3JW

VE3RAM

The Rambler is the official newsletter of the Ottawa Valley Mobile Radio Club Incorporated and is published 10 times a year (monthly, except for July and August). Opinions expressed in the Rambler are those of the authors and not necessarily those of the OVMRC, its officers or its members. Permission is granted to republish the contents in whole or in part, providing the source is acknowledged. Commercial use of the contents is expressly prohibited.

Submit articles to the editor or by e-mail to:

[Robert Cherry, VA3AOD](mailto:Robert.Cherry.VA3AOD@ncf.ca)
cw527@ncf.ca

OVMRC Affiliations

(Continued from page 1)

I participated in the CQ World Wide DX SSB contest that took place over a 48 hour period starting at 8 PM (local time) Friday

evening, Oct 27 to Sunday the 29th at 8 PM. The HF bands were not as good as in previous years as we decline into the low ebb of solar cycle 24. For me, it seemed 15 metres was the most productive band across the Atlantic. Ten metres was basically dead except for some transequatorial propagation on Sunday during the daytime hours when several Caribbean and South American stations were worked. Of course, at this point in our solar cycle, the upper bands of 10, 15 and 20 metres completely fade during the night time hours and during the contest, this was no exception. However, 40 metres came alive at night and displayed good propagation to Europe; it was a very busy band where I managed to make contacts with 19 different DXCC countries and entities in 7 CQ zones. Early, Sunday morning at 7 am, I tried to work a contest station in Kazakhstan on 40 metres but he failed to hear me. Also, I missed working the station on Reunion Island. These would have been new DXCC contacts for me. I did however work during the contest (and it's already confirmed on LOTW) a contact with the Vatican City, station HV0A which adds to my DXCC total now at 154. All in all, my operating during the contest amounted to 16 contacts on 10, 109 contracts on 15, 105 contacts on 20, 31 contacts on 40 and 2 contacts on 80 for a total of 263. Not too bad for casual operating with my Flex 1500 with my 45 watt amplifier but far from the competitive multi-op contest stations making several thousand

contacts. We will see how I do on the CQ-WW-DX contest CW happening during the November 25th-26th weekend; I will report again in the December Rambler.

As of this writing, the C3 Expedition has arrived in Victoria on schedule finishing its 150 day voyage from Toronto through the Northwest Passage. I was regularly logging WSPR beacon reception reports and have accumulated the requisite 150 points to submit and apply for my C3 Award. Others that were tracking and logging the C3 Expedition spots must submit their log spreadsheet by the end of November.

So that will be it for my Ramblings for this month. See you all at the November meeting.

de Norm Rashleigh, VE3LC
ve3lc@rac.ca



Club Project and Bulk Buy of Coax

Barry, VE3NA reports that the materials are coming together for the 20 m shortened dipole and the 2 m Slim Jim antenna kits. For those that ordered the connectorized cut lengths of RG 58 coaxial cable, these will be ready for pickup at the November meeting.



Marc's VE3BOE's tilting tower will be the subject of his presentation at the November meeting.

Contest Calendar

For all contest information goto:
hornucopia.com/contestcal/

Nov 18-20 — ARRL Sweepstakes Contest, SSB,
arrl.org/sweepstakes

Nov 25-26 — CQ WW DX Contest, CW,
cq-amateur-radio.com/

Dec 1-3 — ARRL 160 Metre Contest,
arrl.org/160-meter

Dec 9-10 — ARRL 10 Metre Contest,
arrl.org/10-meter

Dec 30 — RAC Winter Contest,
wp.rac.ca/rac-canada-winter-contest-rules/

Informal Amateur Radio Restaurant Gatherings (All are welcome)

- QCWA Chapter 70 breakfast gathering every **Tuesday** morning at 7:30 to 10 am, Summerhays Grill, 1972 Baseline Rd., Nepean
- Orleans Coffee gathering every **Friday** morning at 9 AM, McDonalds, 2643 St. Joseph Blvd, Orleans
- QRP Group Dinner meeting, **2nd Wednesday** every month, 5 PM, Newport Restaurant, 322 Churchill Ave N., Ottawa
- Phoenix Net monthly Breakfast gathering, usually the **second Saturday** every month at 9 AM, T-Basil Restaurant, 2440 St Joseph Blvd, Orleans. (get on Pete VE3XEM's mailing list for monthly reminder)



Cross Canada C4FM Weekly Net

Wednesdays 9PM Eastern
 02:00 UTC
 Room 28329 on the
 Yaesu Wires-X network



DON'T HAVE A NODE?
 LOG IN VIA ONE OF THESE
 PARTICIPATING REPEATERS
 VE1XK VE1BF8 VE6LUX VE3TWO VE3RHX VE3RFX
 VE3RKB VE3YHD VE3YQK VE3EOD VE3MBX VA7RF

OVMRC Repeater VE3TWO :

147.300 MHz +600 kHz, 100 Hz Tone
 and Yaesu C4FM Digital Voice

VE3TWO Scheduled Nets:

- **Wednesday Evenings, 9 PM**, Across Canada Net, C4FM Digital Voice facilitated by Denis, VE3BF.
- **Thursday Evenings, 8 PM**, Club Net on FM conducted by Ken, VE3EKN.
- **Sunday Evenings, 8 PM**, Ottawa C4FM Digital Voice Round Table Net.

Other Local 2 Metre Repeater Nets: (all check-ins welcome)

- **Rubber Boot Net**, VE3MPC 147.150 +, work day mornings at 7:30 AM conducted by Mike, VA3TJP
- **Phoenix Net**, VE3MPC 147.150 +(now with 100 Hz tone), Tuesday evenings at 8 PM conducted by Pete, VE3XEM
- **QCWA Chapter 70 Net**, VE3MPC 147.150 + (now with 100 Hz tone), Monday evening at 7:30 pm conducted by John, VE3ZOV
- **Capital City FM Net**, VE2CRA 146.940 Mhz, – (100 Hz tone), Monday evenings at 8 PM
- **Champlain Mini Net**, VE3STP 147.060 – (114.8 Hz tone), every evening at 6:45 PM

OVMRC HF Nets

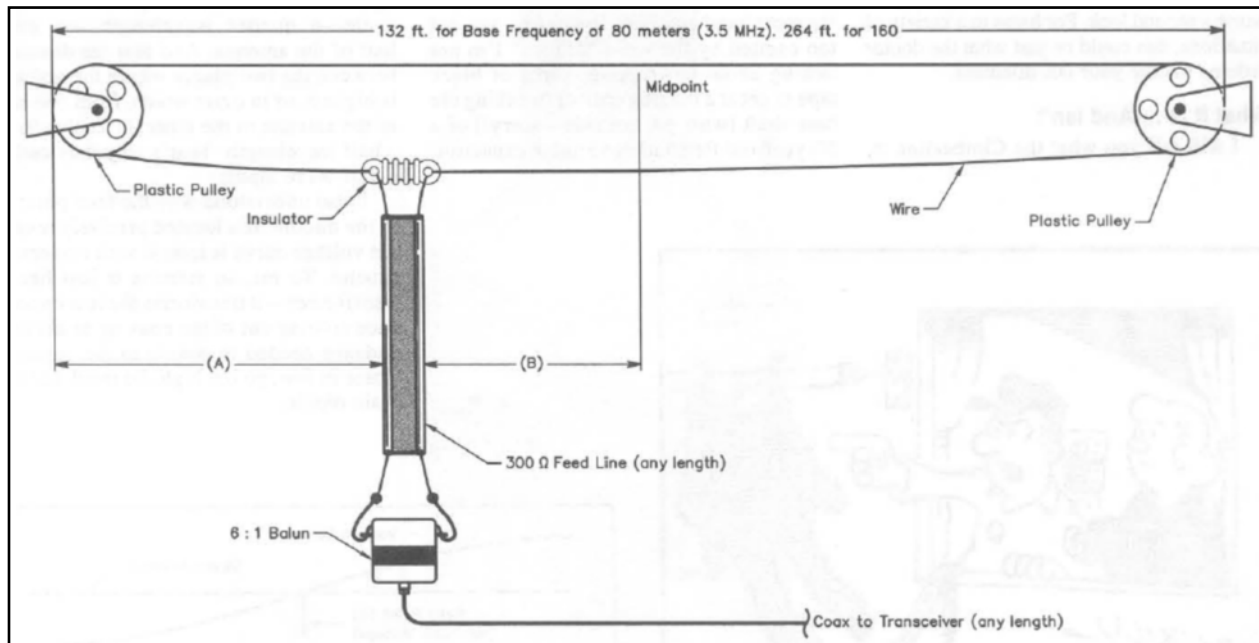
- **Pot Hole SSB Net**, 3760 kHz, every Sunday morning at 10 AM conducted by Ernie VE3EJJ or Glenn VE3XRA
- **Pot Lid Slow Speed CW Net**, 3620 kHz, every Sunday morning at 11 AM conducted by Roger VE3XRR

Clothes Line Multi-Band Antenna

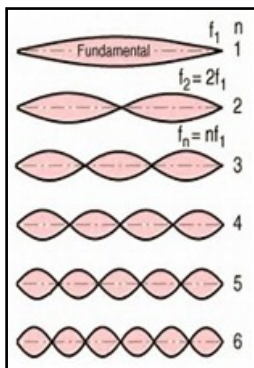
Here's a novel antenna worth trying. It's a Clothes Line Antenna where the feed point can be moved back and forth allowing you to seek the low impedance feed point

for the frequency band you want to operate on. It was featured in a QST article July 1998 by Robert Victor, VA2ERY. Of course, the length of the antenna should be a half wave length for the lowest band you intend to operate it on. Since this antenna is essentially a

“folded dipole”, the bandwidth should be broad compared to a straight half wave dipole which can be especially problematic when trying to span the entire band with a good SWR.



This type of multi band antenna follows the requirement of feeding an antenna at a high current / low voltage point which may be off centre for bands other than the 1/2 wave cut length of the antenna. This is illustrated below:



Because the Clothes Line antenna is a folded dipole, the feed point impedance (in free space) will be 300 ohms and therefore transformation down to 50 ohm

coax impedance will be necessary; this is the purpose of the 6:1 balun. A more common 4:1 balun could also be used but the SWR may not be so perfect, but that too will be influenced by the height of the antenna. Of course, the 300 ohm twin lead feeder cable could also be extended directly into the “balanced” input of your antenna tuner; however; doing so would defeat the antenna’s design objective to match directly into your radio without the need of an antenna tuner; this by simply seeking the proper feed point position on the antenna for the band in question.

The height of the antenna should be at least a 1/4 to 1/2 wave length above the ground, but this may be impractical if the antenna is to be

used for an actual clothes line! So put it up only 15 to 20 feet and step up to it with an elevated porch and see how it works. In fact, low to the ground operation may be good for NVIS (Near Vertical Incident Skywave) for short range communications.

300 ohm twin lead is in stock at Maple Leaf Communications: mapleleaf.com/

If you build and use that type of antenna, share your experience at a future OVMRC meeting.

de Norm VE3LC

FOR SALE

OVMRC Mugs

In this 60th Anniversary Year of the Ottawa Valley Mobile Radio Club we had produced Mugs with the OVMRC Logo to enjoy your morning coffee. These mugs will be on sale at the upcoming meetings for \$5 each.



OVMRC Polo Shirts

We had a signup sheet circulating at our October meeting. Hopefully, we will be able to deliver these Custom Embroidered OVMRC Club shirts to those that ordered one at the November meeting. Please bring payment, the cost will be \$30 each. For those that still haven't ordered a shirt and want one, we may have another production run with our vendor if there is sufficient interest. Contact Norm at VE3LC@rac.ca



Door Prize at the November meeting

New "BEST" Model DT-9205M Digital Multimeter

(Several other not so nice prizes too)

OVMRC Net Activity, Check-ins during the last month

Prepared by: Ken Evans, VE3EKN

OVMRC 2 Metre Net, VE3TWO 147.300+ 100 Hz tone, Thursdays 8 pm local

| September 28 | October 5 | October 12 | October 19 | October 26 |
|--------------|-----------|------------|------------|------------|
| VE3LC | VE3LC | VA3AOD | VE3LC | VE3LC |
| VE3BF | VE3RUU | VE3RUU | VE3RUU | VE3AOD |
| VA3ZTF | VE3BF/P | VE3BF/P | VE3BF | VE3RUU |
| VA3ORL | VE3DHE | VE3KLT | VE3GIQ | VE3BF |
| VE3GIQ | VE3KTN | VA3ZTF | VA3ORL | VE3LBU |
| VE3LBU | VA3ZTF | VA3ORL | VA3HWA | VA3ZTF |
| VE3DHE | VE3NA | VE3LBU | VA3PDN | VE3GIQ |
| VE3KTN | VA3SPV | VE3GIQ | VE3LBU | VA3ORL |
| VA3RLA | VA3RLA | VA3HWA/P | VE3NA | VA2EEK |
| VA3ECM | VE3BOE | VA3RLA | VA3RLA | VE3TXB |
| VE3BOE | VA2EEK | VE3ZZU | VE3ZZU | VE3BOE |
| VA3SPV | VE3SJM | VE3NA | VA2EEK | VA3RLA |
| VE3NA | VE3CSH | VA3ECM | VA3GFY | VE3DHE |
| VE3RUU | VE2OCQ | VE3LC/P | VE3BOE | VE3NA |
| VE3ZZU | VA3ORL/P | VE3CSH | VA3ZTF | VE3KTN |
| VE3NPO | VA3JYK | VA3PDN | VA3SPV | VA3SPV |
| VE3HAZ | VE3EKN | VA3SPV | VE3DHE | VA2RWN |
| VA3GFY | | VE3RMJ | VE3TXB | VE3ZZU |
| VE3EKN | | VE3KTN | VE3XQQ | VE3XQQ |
| | | VA2EEK | VE3EKN | VA3PDN |
| | | VE3NPO | | VE3EKN |
| | | VE2BJZ | | |
| | | VE3PD | | |
| | | VE3EKN | | |

OVMRC POT HOLE NET – Check-ins last month

3760 kHz SSB Sunday mornings at 10 am local

| October 1 | October 8 | October 15 | October 22 | October 29 |
|-----------|-----------|------------|------------|------------|
| VE3LC | K1UFO | VA3BGO | VE3LC | VE3BAE |
| VA3ZTF | VA3PCJ | CG3BF/P | VE3BF | VE3EJJ |
| VE3EKN | VE3BAE | VE3LC | VA3QV | VE3LC |
| CG3BF/P | VE3EKN | VE3EKN | VA3PCJ | VE3BOE |
| VE3NA | VE3LC | VE3XRA | VE3NA | VE3EKN |
| VE3EJJ | VE3NA | | VE3XRA | VA3AOD |
| | VA3AOD | | VE3EKN | VE3RXH |
| | VE3EJJ | | VE3SHQ | VE3BF |
| | | | VA3BGO | VE2HOG |
| | | | VE3NPO | VE3XRA |
| | | | VE3EJJ | |

Meeting Minutes

Date / Time: Wednesday,
October 28, 2017, 19:30

Location: Canada Aviation and
Space Museum

1. Call to order:

The President, Norm Rashleigh VE3LC, called the meeting to order at 19:30. There were 39 in attendance.

2. Approval of minutes from previous meeting:

MOTION: Moved by Tim Bailey VE3TXB and seconded by Steve Middleton VE3RUU that the minutes of the previous meeting held Wednesday, September 20, 2017 be approved.

VOTE: All in favour.

CARRIED.

3. Greetings:

Guests and visiting amateurs:

Mark Schacter VE3BXG
Frank Da Silva VE3XQQ
Alan Beveridge VE3SK
Dave Champagne
VE3CGK/VE3QQQ

Allan Fricker

4. Announcements and events:

Upcoming Events

Montreal South-Shore Amateur
Radio Club

(Biggest Hamfest in Quebec)

Saturday October 21, 2017
9 AM To 1 PM

1023, Taschereau Blvd.,
Longueuil, Qc

5. Upcoming contests:

CQ World Wide SSB DX, Oct 28 -
29

For detailed information on
upcoming contests, see the
WA7BNM Contest Calendar at
hornucopia.com/contestcal

6. Experience learning Morse code, Mark Schacter VE3BXG:

Mark was licenced in July 2017 and has been an avid Short Wave listener since age 8. Mark tried several attempts at learning morse code, and was finally successful when he tried a training program called Code Quick. Mark has been on the air using Morse code for about two weeks and has made about 100 contacts all using a straight key.

For more information on Code Quick, see: cq2k.com

7. Show and tell:

Ralph Cameron VE3BBM, showed an original page from the Globe and Mail, dated July 1, 1867. The page was framed to protect it, and was in exceptional condition, given its age. Ralph found the page in an old book from the 1800's.

Bill Henderson VA3HWA, showed us a 90 year-old triode vacuum tube, also known as a peanut tube.

8. Club projects and events:

Slim-Jim 2-metre portable antenna
- Barry Allison, VE3NA:

Barry reported on the proposed slim-jim 2-metre portable antenna and showed us a sample of the components used to make the project; 300-ohm line with coax and BNC connector. The estimated cost of each kit is expected to be in the \$30 range. A sign-up sheet was circulated so that interested members could order a kit (or two).

VE3KL shortened 20-metre wire antenna - Barry Allison, VE3NA:

Barry reported on the proposed 20-metre wire antenna and showed us a sample of the components used to make the project; wires, insulators, loading coil, balun and SO-239 connector. Barry has tested the antenna at 100W and made contacts into Europe. The estimated cost of each kit is expected to be in the \$30 range. A sign-up sheet was circulated so that interested members could order a kit (or two).

Club 60th anniversary shirts - Barry Allison, VE3NA:

Norm, was wearing a sample of the Club's 60th anniversary shirts. Members were impressed (with the shirt), and the feedback was very positive. The cost of the shirt is expected to be around \$30. A sign-up sheet was circulated and members entered their order details.

Christmas gathering – Wednesday December 21 - John McGowan VA3JYK:

John reported that about 30 people have signed-up for the Christmas gathering. Cost will be \$25 per person. The venue for this year is:

KS on the Keys, 1029 Dazé St, Ottawa, ON K1V 2G3

9. Update on APRS digipeater installation at VE3TWO:

Norm Rashleigh VE3LC gave us an update on the progress with the digipeater. Norm has the digipeater setup on the bench and has begun preliminary testing.

10. Net operations, Ernie Jury VE3EJJ:

Ernie reported that the pothole net is picking up a few more participants. It has been proposed to have it earlier, perhaps at 08:00. During the discussion, Bryan Rawlings VE3QN suggested that we consider trying the net on 60-metres. This was discussed, but no decision was made. Comments and suggestions regarding Net operations can be sent to Ken Evans VE3EKN, Ernie Jury VE3EJJ or Norm Rashleigh VE3LC.

11. Feature Presentation, Collecting Old Radios, Brian Griffin VA3BGO:

Brian Griffin VA3BGO is a member of the Ottawa Vintage Radio Club. Brian has an extensive

collection of vintage radios that he has collected, many which have restored and appear to be in excellent condition.

12. Prizes and Draws:

Prizes were won by many lucky individuals.

The winner of this month's 50/50 draw was Sandy Haggart VE3HAZ.

13. Next Meeting:

Next meeting will be Wednesday, November 15 at 19:30. The feature presentation will be: Design and Construction of a Tilting Antenna Tower, Marc Bélanger, VE3BOE (class of 2015).

14. Adjournment:

The meeting was adjourned at 22:00.

*Minutes recorded by:
Frank Fullum, VE2KOI,
OVMRC Secretary*

MEMBERSHIP FORM

Ottawa Valley Mobile Radio Club, Incorporated
 PO Box 41145
 Ottawa, ON K1G 5K9

- ✓ *The membership year starts 1 September, and runs until 31 August of the following year.*
- ✓ *Regular membership is open to licensed amateurs.*
- ✓ *Associate membership is open to all unlicensed radio enthusiasts.*
- ✓ *Membership includes a digital subscription to the club newsletter, the OVMRC Rambler.*

NEW RENEWAL UPDATE/CHANGE

Please print legibly

| | | |
|---|------------------|----------------------|
| Call Sign | Surname | Perferred first name |
| Street | | Apartment |
| City | Province | Postal Code |
| Home/primary phone | Work/other phone | E-mail address |
| Are you a member of Radio Amateurs of Canada (RAC)? Yes / No | | |
| RAC ID: _____ Expiry (YYYY-MM-DD): _____ | | |

| | | |
|--|-------------------|--|
| Do you wish to order an OVMRC name tag? (+\$12.00) Yes <input type="checkbox"/> No <input type="checkbox"/> | | |
| Callsign for name tag | Name for name tag | |

| | | |
|---------------------------------------|-------------------------------------|--|
| Full Membership (Not a Member of RAC) | \$35.00/yr <input type="checkbox"/> | Amount Enclosed \$ _____ Cheque / Cash |
| Full Membership (RAC Member) | \$25.00/yr <input type="checkbox"/> | |
| Associate Membership (Unlicensed) | \$25.00/yr <input type="checkbox"/> | |

| Circle your interests | | | |
|---|--|--|---|
| Bands Microwave UHF VHF HF LF and below | Modes CW Digital Phone EME Satellite Experimental | Building RX TX Antennas Test equipment Other | Other Teaching Speaking/Presenting DF/Fox hunting Contesting DXing Computers/IT Other |

| | | | |
|-----------|-------|----------|---|
| Signature | Date | Initials | <i>By initialing this box, I confirm that I consent to receiving e-mail messages from the Club.</i> |
| _____ | _____ | | |